



MODEL PAXLPV - PAX LITE PROCESS VOLT METER



- WIDE SPAN & OFFSET SCALING RANGE
- 3 1/2-DIGIT, 0.56" (14.2 mm) HIGH LED READOUT
- 24 VDC EXCITATION SUPPLY
- OVER-RANGE INDICATION
- SELECTABLE DECIMAL POINTS
- NEMA 4X/IP65 SEALED FRONT BEZEL
- OPTIONAL CUSTOM UNITS OVERLAY W/BACKLIGHT
- ±25 VOLT DC MAXIMUM INPUT



GENERAL DESCRIPTION

The premium features of the PAX Lite Series can now be applied to measurement of process variables. With its high sensitivity and programmability, the PAX Lite Process Volt Meter can be set up for a wide variety of applications. In most plants the PAXLPV can be used for 90 to 95% of Process Volt meter needs for readout of pressure, flow, temperature, level and other variables. The meter has been specifically designed for harsh industrial environments. With NEMA 4X/IP65 sealed bezel and extensive testing of noise effects to CE requirements, the meter provides a tough yet reliable application solution. This allows the PAXLPV to be used in dirty, hostile environments and in wash-down areas. The 3½-digit bi-polar display (minus sign displayed when voltage is negative) features 0.56" (14.2 mm) high, 7-segment LEDs for easy reading.

SAFETY SUMMARY

All safety related regulations, local codes and instructions that appear in the literature or on equipment must be observed to ensure personal safety and to prevent damage to either the instrument or equipment connected to it. If equipment is used in a manner not specified by the manufacturer, the protection provided by the equipment may be impaired.



CAUTION: Risk of Danger.
Read complete instructions prior to installation and operation of the unit.



CAUTION: Risk of electric shock.

DIMENSIONS In inches (mm)

Note: Recommended minimum clearance (behind the panel) for mounting clip installation is 2.1" (53.4) H x 5.0" (127) W.

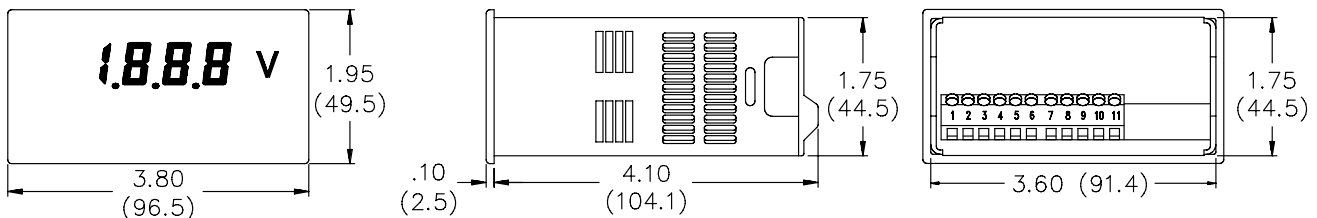
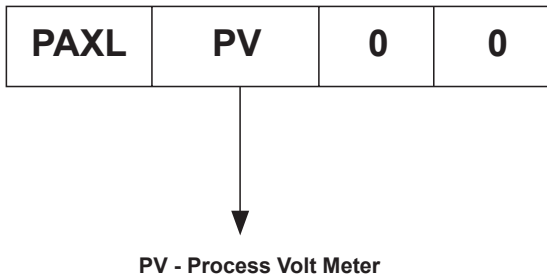


TABLE OF CONTENTS

Ordering Information	2	Wiring the Meter	5
General Meter Specifications	3	Scaling the Meter	6
Accessories	3	Calibrating the Meter	7
Installing the Meter	4	Applications	8
Setting the Switches	4		

ORDERING INFORMATION

Meter Part Numbers



Accessories Part Numbers

TYPE	MODEL NO.	DESCRIPTION	PART NUMBERS
Accessories	PAXLBK	Units Label Kit Accessory	PAXLBK30

GENERAL METER SPECIFICATIONS

1. **DISPLAY:** 3 1/2-digit, 0.56" (14.2 mm) high, 7-segment LED, (-) minus sign displayed when current or voltage is negative. Decimal points inserted before 1st, 2nd, or 3rd least significant digits by DIP switch selection.
2. **OVER-RANGE INDICATION:** Indicated by blanking 3 least significant digits.
3. **POWER:**
AC Power: 85 to 250 VAC, 50/60 HZ, 6 VA
Isolation: 2300 Vrms for 1 min. to all inputs.
4. **INPUT SENSITIVITY:** (Numerical Readout Change/Volt) Adjustable from 40 units/volt to 1000 units/volt. Max. allowable input voltage, ± 25 volts DC.
5. **INPUT RESISTANCE:** 1 M Ω
6. **SCALING RANGE:**
SPAN: 32 coarse steps (*binary progression with 5 DIP switches*) Each step providing approx. 40 numerical units/volt/step sensitivity. Fine adjust brackets the coarse step increments.
OFFSET: 16 coarse steps (*binary progression with 4 DIP switches*) with \pm switch to add or subtract offset. Each step adds or subtracts approximately 175 from the numerical display for a total offset range of ± 2700 . Fine control brackets the steps.
7. **LINEARITY:** $\pm(0.05\% \pm 1 \text{ digit})$
8. **READING RATE:** 2.5 updated readings / second, nominal.
9. **RESPONSE TIME:** 1 second to settle for step change.
10. **LOW FREQUENCY NOISE REJECTION:**
Normal Mode Rejection: 63 dB @ 50/60 Hz
Common Mode Rejection: 100 dB, DC to 50/60 Hz
11. **ENVIRONMENTAL CONDITIONS:**
Operating Temperature: 0° to 60°C
Storage Temperature: -40° to 80°C
Operating and Storage Humidity: 85% max. relative humidity (non-condensing)
Span Temperature Coeff.: 100 PPM/°C
Offset Temperature Coeff.: 100 PPM/°C
Vibration According to IEC 68-2-6: Operational 5 to 150 Hz, in X, Y, Z direction for 1.5 hours, 2g's.
Shock According to IEC 68-2-27: Operational 30 g (10g relay), 11 msec in 3 directions.
Altitude: Up to 2000 meters
12. **CERTIFICATIONS AND COMPLIANCES:**
SAFETY
 UL Recognized Component, File # E179259, UL61010A-1, CSA C22.2 No. 1010-1
 Recognized to U.S. and Canadian requirements under the Component Recognition Program of Underwriters Laboratories, Inc.
 UL Listed, File # E137808, UL508, CSA C22.2 No. 14-M95
 LISTED by Und. Lab. Inc. to U.S. and Canadian safety standards
 Type 4X Enclosure rating (Face only), UL50

IECEE CB Scheme Test Certificate # US/8843A/UL
 CB Scheme Test Report # 04ME11209-20041018
 Issued by Underwriters Laboratories, Inc.
 IEC 61010-1, EN 61010-1: Safety requirements for electrical equipment for measurement, control, and laboratory use, Part 1.
 IP65 Enclosure rating (Face only), IEC 529
 IP20 Enclosure rating (Rear of unit), IEC 529
ELECTROMAGNETIC COMPATIBILITY
 Emissions and Immunity to EN 61326: Electrical Equipment for Measurement, Control and Laboratory use.

Immunity to Industrial Locations:

Electrostatic discharge	EN 61000-4-2	Criterion A 4 kV contact discharge 8 kV air discharge
Electromagnetic RF fields	EN 61000-4-3	Criterion B 10 V/m
Fast transients (burst)	EN 61000-4-4	Criterion A 2 kV power 2 kV signal
Surge	EN 61000-4-5	Criterion A 1 kV L-L, 2 kV L&N-E power 1 kV signal
RF conducted interference	EN 61000-4-6	Criterion A 3 V/rms
Power frequency magnetic fields	EN 61000-4-8	Criterion A 30 A/m
Voltage dip/interruptions	EN 61000-4-11	Criterion A 0.5 cycle

Emissions:

Emissions EN 55011 Class B

Notes:

1. *Criterion A: Normal operation within specified limits.*
2. *Criterion B: Temporary loss of performance from which the unit self-recovers.*

13. **EXCITATION SUPPLY:** 24 VDC @ 50 mA max. Regulated and isolated.
14. **CONNECTIONS:** High compression cage-clamp terminal block
 Wire Strip Length: 0.3" (7.5 mm)
 Wire Gage: 30-14 AWG copper wire
 Torque: 4.5 inch-lbs (0.51 N-m) max.
15. **CONSTRUCTION:** This unit is rated for NEMA 4X/IP65 indoor use. IP20 Touch safe. Installation Category II, Pollution Degree 2. One piece bezel/case. Flame resistant. Panel Gasket and mounting clip included.
16. **WEIGHT:** 0.65 lbs (0.24 kg)

ACCESSORIES

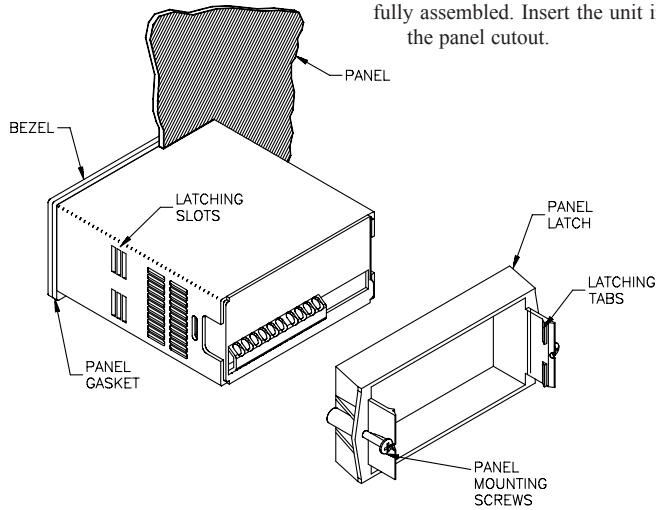
UNITS LABEL KIT (PAXLBK)

Each meter has a units indicator with backlighting that can be customized using the Units Label Kit (PAXLBK30). The backlight is controlled by a DIP switch.

1.0 INSTALLING THE METER

Installation

The PAX meets NEMA 4X/IP65 requirements when properly installed. The unit is intended to be mounted into an enclosed panel. Prepare the panel cutout to the dimensions shown. Remove the panel latch from the unit. Slide the panel gasket over the rear of the unit to the back of the bezel. The unit should be installed fully assembled. Insert the unit into the panel cutout.

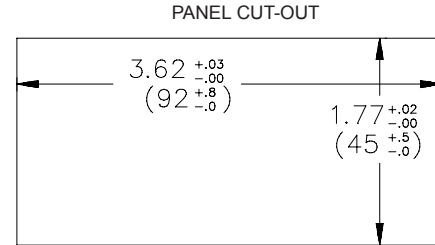


While holding the unit in place, push the panel latch over the rear of the unit so that the tabs of the panel latch engage in the slots on the case. The panel latch should be engaged in the farthest forward slot possible. To achieve a proper seal, tighten the latch screws evenly until the unit is snug in the panel (Torque to approximately 7 in-lbs [79N-cm]). Do not over-tighten the screws.

Installation Environment

The unit should be installed in a location that does not exceed the maximum operating temperature and provides good air circulation. Placing the unit near devices that generate excessive heat should be avoided.

The bezel should be cleaned only with a soft cloth and neutral soap product. Do NOT use solvents. Continuous exposure to direct sunlight may accelerate the aging process of the bezel.



2.0 SETTING THE SWITCHES

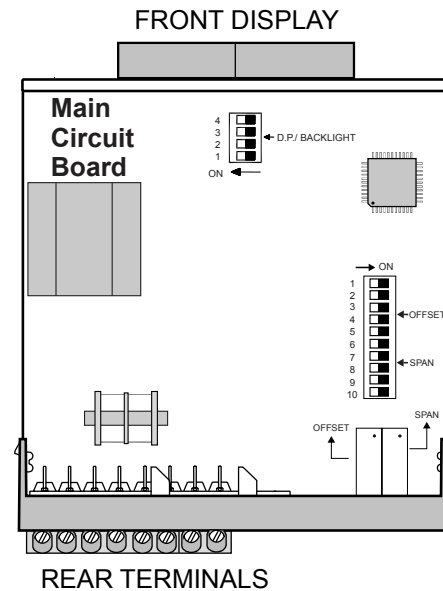
The meter has switches that must be checked and/or changed prior to applying power. To access the switches, remove the meter base from the case by firmly squeezing and pulling back on the side rear finger tabs. This should lower the latch below the case slot (which is located just in front of the finger tabs). It is recommended to release the latch on one side, then start the other side latch.

Set-Up DIP Switches

Two banks of DIP switches are located inside the meter. The 10 position bank of switches are used for calibrating the meter. The values of these switches are discussed in section 5.0 Calibrating the Meter.

The bank of 4 switches located near the front display are used for the selection of decimal points and backlight annunciator. Selecting "ON" position enables the function.

SWITCH	FUNCTION
1	Decimal Point 1 (000.0)
2	Decimal Point 2 (00.00)
3	Decimal Point 3 (0.000)
4	Backlight Annunciator for Units Label



3.0 WIRING THE METER

WIRING OVERVIEW

Electrical connections are made via screw-clamp terminals located on the back of the meter. All conductors should conform to the meter's voltage and current ratings. All cabling should conform to appropriate standards of good installation, local codes and regulations. It is recommended that power supplied to the meter (AC) be protected by a fuse or circuit breaker.

When wiring the meter, compare the numbers embossed on the back of the meter case against those shown in wiring drawings for proper wire position. Strip the wire, leaving approximately 0.3" (7.5 mm) bare lead exposed (stranded wires should be tinned with solder). Insert the lead under the correct screw-clamp terminal and tighten until the wire is secure. (Pull wire to verify tightness.)

EMC INSTALLATION GUIDELINES

Although this meter is designed with a high degree of immunity to Electro-Magnetic Interference (EMI), proper installation and wiring methods must be followed to ensure compatibility in each application. The type of the electrical noise, its source or the method of coupling into the unit may be different for various installations. Listed below are some EMC guidelines for successful installation in an industrial environment.

1. The meter should be mounted in a metal enclosure, which is properly connected to protective earth.
2. Never run Signal or Control cables in the same conduit or raceway with AC power lines, conductors feeding motors, solenoids, SCR controls, and heaters, etc. The cables should be run in metal conduit that is properly grounded. This is especially useful in applications where cable runs are long and portable two-way radios are used in close proximity or if the installation is near a commercial radio transmitter.

3. Signal or Control cables within an enclosure should be routed as far away as possible from contactors, control relays, transformers, and other noisy components.

4. In extremely high EMI environments, the use of external EMI suppression devices, such as ferrite suppression cores, is effective. Install them on Signal and Control cables as close to the unit as possible. Loop the cable through the core several times or use multiple cores on each cable for additional protection. Install line filters on the power input cable to the unit to suppress power line interference. Install them near the power entry point of the enclosure. The following EMI suppression devices (or equivalent) are recommended:

Ferrite Suppression Cores for signal and control cables:

Fair-Rite # 0443167251 (RLC #FCOR0000)

TDK # ZCAT3035-1330A

Steward #28B2029-0A0

Line Filters for input power cables:

Schaffner # FN610-1/07 (RLC #LFIL0000)

Schaffner # FN670-1.8/07

Corcom #1VR3

Note: Reference manufacturer's instructions when installing a line filter.

5. Long cable runs are more susceptible to EMI pickup than short cable runs. Therefore, keep cable runs as short as possible.

6. Switching of inductive loads produces high EMI. Use of snubbers across inductive loads suppresses EMI.

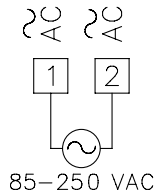
Snubber: RLC#SNUB0000.

3.1 POWER WIRING

AC Power

Terminal 1: VAC

Terminal 2: VAC

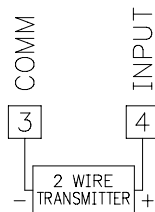


3.1 INPUT WIRING

Voltage Signal (2 wire)

Terminal 3: COMM

Terminal 4: INPUT



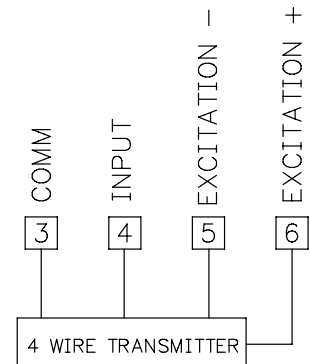
Voltage Signal (4 wire requiring excitation)

Terminal 3: COMM

Terminal 4: INPUT

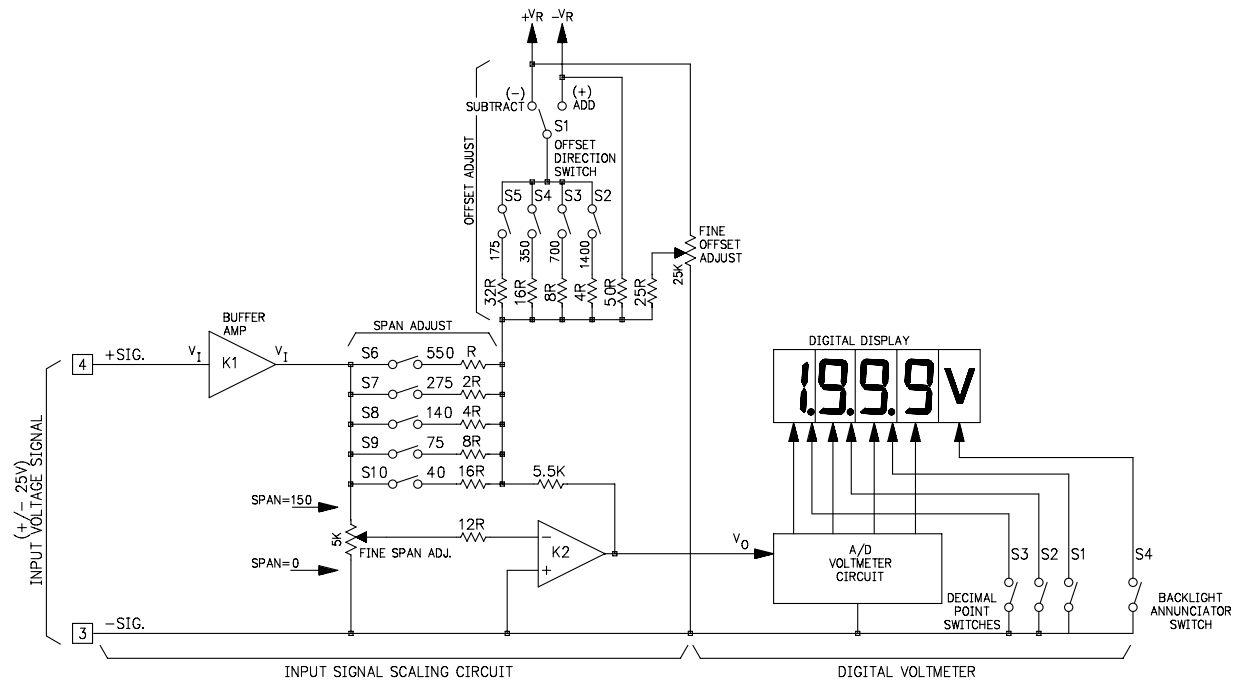
Terminal 5: EXCITATION -

Terminal 6: EXCITATION +



4.0 SCALING THE METER

PAXLPV SCHEMATIC

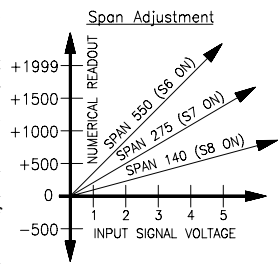


DESCRIPTION OF OPERATION

The PAX Lite Process Volt Meter consists of a digital volt meter combined with an analog scaling circuit (shown above). Input voltage can be reversed in polarity resulting in negative numerical readout with a minus (-) sign displayed. Input terminals 3 and 4 are connected to the signal voltage. The buffer amplifier (K1) conditions and filters the input signal voltage and applies it to the input of the scaling circuit. The procedure for scaling PAX Lite Process Volt Meters is simplified by dividing the scaling process into two separate components, span adjustments and offset adjustments which are defined in the following discussion.

SPAN ADJUSTMENTS

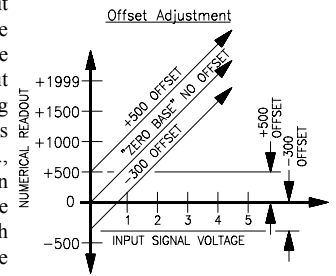
Span is defined as the numerical range that the display traverses, disregarding decimal points, when the input signal is varied from minimum to maximum. For example, if a unit is to display 25.0 @ 1 V and 100.0 @ 5 V, the span is 750 (the difference between 250 and 1000). Had the minimum display been -25.0 @ 1 V and +100.0 @ 5 V, the span would be 1250 (1000 - (-250) = 1250). (Note: the terms "GAIN," "SCALE," and "SENSITIVITY" are also frequently used interchangeably with the term "SPAN.") The PAX Lite Process Volt Meter can be set up over a very wide span range by means of the coarse DIP switches S6-S10, and the fine screwdriver adjustment pot, located at the back cover. The coarse span switches add parallel input resistors to the summing amplifier (K2), thereby increasing its gain, or sensitivity, as more summing resistors are added. Effectively, adding more parallel input resistors increases the slope of the transfer curve (at right) and increases the numerical readout for a given input signal change. The input summing resistor values are weighted in a binary progression, so they can be switched in combinations to give 32 discrete steps of span. The fine adjust control brackets these coarse steps and can be adjusted to the exact span needed.



The approximate span contributed by each switch is shown on the rear label. The values shown are "units per volt." For example, if S6 only is turned "ON," the numerical readout will change approximately 550 units for a signal voltage change of 1 volt. If S7 were also turned "ON," the numerical readout would change approximately 825 units for a signal voltage change of 1 volt. The span adjust pot has a continuous span range of approximately 0- 45.

OFFSET ADJUSTMENTS

Effectively, adding more parallel input resistors increases the slope of the transfer curve (at right) and increases the numerical readout for a given input signal change. In the foregoing discussion of span, the transfer curves were shown as "ZERO-BASED," i.e., the numerical readout displays "0" when the signal goes to zero. With voltage ranges such as 0-5 V or 0-10 V, and with Bi-Polar (+/-) signals this is often the desired condition. However, with voltage ranges such as 1-5 V or 1-10 V, the minimum voltage level usually represents the zero level of the parameter being displayed. There are also many applications where the minimum (or zero level) represents some value that does not fall on a zero based transfer curve. To accommodate non-zero based applications, the PAX Lite Process Volt Meter has provisions for offsetting the transfer curve over a wide range. Essentially, offset moves the transfer curve up or down to change its intercept with the numerical readout axis, but it does not change the slope (SPAN) of the transfer curve. In the PAX Lite Process Volt Meter, offset is accomplished by adding (or subtracting) a constant at the input of the summing amplifier (K2). This offset constant is summed in with a switched binary resistor network and a fine adjust offset control in a similar manner to that used for span adjust. Switches S2-S5 can be turned on in combinations to give 16 different coarse offset levels. Each switch is labeled to show the approximate amount of offset contributed when it is turned "ON." Switch 1 selects the polarity of the switched-in offset value and allows offsetting the transfer curve "UP" (adding the offset constant) or "DOWN" (subtracting). The offset adjust pot has a numerical readout range of +/-100 and brackets all the coarse switched ranges.



5.0 CALIBRATING THE METER

Direct calibration in the signal loop is usually not practical due to the difficulty in varying the measured parameter and the confusing interaction that occurs between span and offset adjustments. However, the PAXLPV can be quickly and easily bench calibrated using a commercially available calibrator.

CALIBRATION PROCEDURE

The procedure outlined in the calibration steps below, minimizes span/offset interaction and simplifies calibration. In Steps 1 to 4 the unit is "nulled" to zero readout with zero input signal voltage. In Steps 5 and 6, the span adjustments are made to establish the required slope of the transfer curve. Then in Step 7, the transfer curve is shifted up or down as required by setting the offset adjustments. In Step 8, the final "tweaking" adjustments are made at minimum and maximum signal voltage. Setting the decimal points in Step 9 completes the calibration. Before calibrating, the READOUT SPAN (Rs), SWING VOLTAGE (Vs), and SPAN PER VOLT (Rs/Vs) must be determined.

WHERE:

$$R_s = (\text{Max. Numerical Display}) - (\text{Min. Numerical Display}) \quad (\text{Disregard Decimal Points})$$

$$V_s = (\text{Voltage @ Max. Display}) - (\text{Voltage @ Min. Display})$$

$$R_s/V_s = \frac{\text{READOUT SPAN (Rs)}}{\text{SWING VOLTAGE (Vs)}}$$

Example:

Readout is to be 0.00 @ 1 V and 10.00 @ 5 V.

$$\text{READOUT SPAN (Rs)} = 1000 - 0 = 1000$$

$$\text{SWING VOLTAGE (Vs)} = 5 \text{ V} - 1 \text{ V} = 4 \text{ V}$$

$$\text{SPAN PER VOLT (Rs/Vs)} = 1000 / 4 \text{ V} = 250$$

CALIBRATION STEPS

1. Power down the meter and remove it from its case. Turn off all offset and span adjustment switches (S2-S10 down). S1 has no effect when zeroing and can be in either position.
2. Turn the span control pot. fully counter-clockwise (20 turns max.).
3. Turn on a combination of span adjust switches (6-10) to obtain a total value closest to (but not greater than) the SPAN PER VOLT desired (250 in this example). The following chart gives an approximate span adjustment value for each switch:

SWITCH NUMBER	SPAN VALUE
6	550
7	275
8	140
9	75
10	40

4. Place unit in its case and apply power. Apply zero volts. Adjust the indicator to read zero using the offset adjustment pot.
5. Apply the SWING VOLTAGE (Vs) (4 V in this example) to the input. Set the exact READOUT SPAN value (1000) with span adj. pot.
6. Apply zero volts to see if the zero value has shifted. If it has, re-zero with the offset pot, then repeat Step 5.
7. After the span has been adjusted, set the signal voltage to the minimum level (1 V in the example). Record the meter reading (in this example the reading will be 250). Subtract the desired reading at minimum voltage value (0 in the example) from the recorded reading (0-250 = - 250). Power down the meter and remove it from its case. Set the offset add/subtract switch S1

(subtract = on), and the offset switches (S2-S5) to obtain a total value closest to (but no more than) the difference between the desired reading at minimum voltage value and the observed reading. The following chart gives an approximate offset adjustment value for each switch:

SWITCH NUMBER	OFFSET VALUE
2	1400
3	700
4	350
5	175

Place the meter in its case and apply power. Using the offset adjust pot, adjust the readout to equal the minimum voltage value (0 in the example).

8. Adjust the input signal voltage to its maximum value to see if the proper readout is obtained (1000 @ 5 V in the example). If the readout is slightly off, adjust the span pot to obtain the true reading. Then, recheck the reading at the minimum input voltage (1 V) and readjust the offset pot if necessary. Repeat the maximum and minimum readout adjustments until the unit displays the proper readout at both extremes.
9. Set decimal points as desired using the three decimal point switches. The unit can now be installed.

TROUBLESHOOTING

For further assistance, contact technical support at the appropriate company numbers listed.

6.0 APPLICATIONS

Example 1 (\pm Display):

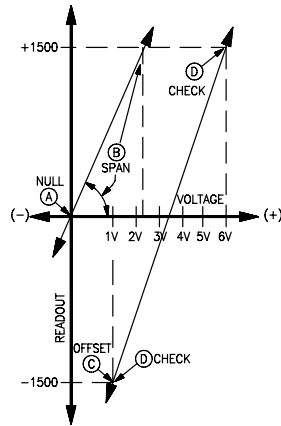
A differential pressure transducer has a range of ± 15 PSI with a 1-6 V output (-15 @ 1 V, +15 @ 6 V)

READOUT SPAN (R_s) = +1500 - (-1500) = 3000
 SWING VOLTAGE (V_s) = 6 V (max) - 1 V (min) = 5 V
 SPAN PER VOLT (R_s/V_s) = 3000 / 5 V = 600

Note: Since the display readout is limited to 1999 numerical indication, the full READOUT SPAN of 3000 cannot be obtained during zero based span adjustment. However, dividing both the READOUT SPAN and SWING VOLTAGE by two, i.e. 1500 readout @ 2.5 V, allows the span adjustment to be made for the proper transfer curve slope.

ADJUSTMENTS

- Null the unit to zero readout @ 0 V per Steps 1 to 4 of the calibration steps.
- Set transfer curve slope with span adjustments per Steps 5 and 6 to get a readout of +1500 @ 2.5 V (SPAN PER VOLT = 600).
- Apply (-) offset per Step 7 to get a reading of -1500 @ 1 V.
- Check min. and max. extremes and tweak if required to get desired readout @ 1 V and 6 V per step 8. Set D.P. switch S2 and replace unit in case.



Example 3 (Negative Slope):

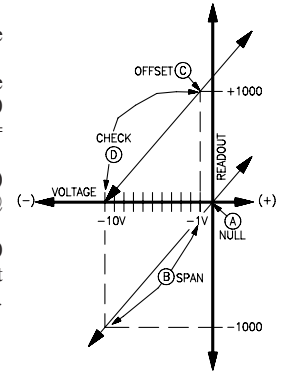
A liquid level sensor puts out 1 V when a storage tank is full and 11 V when the tank is empty. The PAXLPV is to read out 100.0 when the tank is full and zero when the tank is empty.

READOUT SPAN (R_s) = 1000 - 0 = 1000
 SWING VOLTAGE (V_s) = 1 V (max) - 11 V (min) = -10 V
 SPAN PER VOLT (R_s/V_s) = 1000 / -10 V = -100

In this case, the signal voltage is reversed [Term. 3 (+) with respect to Term. 4 (-)] causing the readout to go "down" (increasingly negative) as the negative voltage increases (hence, the negative (-) SPAN PER VOLT).

ADJUSTMENTS

- Null the unit per Steps 1 to 4 of the calibration steps.
- Set the slope of the transfer curve with the span adjustments to get a readout of -1000 @ -10V (SPAN PER VOLT = -100) per Steps 5 and 6.
- Move the transfer curve up by applying (+) offset per Step 7 until readout is +1000 @ -1 V.
- Check extreme readings per Step 8 0 readout @ -11 V and +1000 @ -1 V. Set D.P. switch S1 ON and replace unit in case.



Example 2 (Positive Offset):

PAXLPV is to be calibrated to match a flow transducer whose output is 0 V @ 40 GPM and 5 V @ 650 GPM.

READOUT SPAN (R_s) = 650 - 40 = 610
 SWING VOLTAGE (V_s) = 5 V (max) - 0 V (min) = 5 V
 SPAN PER VOLT (R_s/V_s) = 610 / 5 V = 122

ADJUSTMENTS

- Null the unit per Steps 1 to 4 of the calibration steps.
- Set the coarse and fine span adjustments to get a readout of 610 @ 5 V (SPAN PER VOLT = 122) per Steps 5 and 6.
- Set offset to readout 40 @ 0 V per Step 7.
- Check the readout @ max. (5 V) and min. (0 V) and fine tune (tweak) as required per Step 8.

